



Quarter- hour energy regulator DX8108Q



DX8108.Q controller serves as a regulation element of electrical energy use by customers who are measured quarterly hourly consumption, or exceeding the agreed maximum.

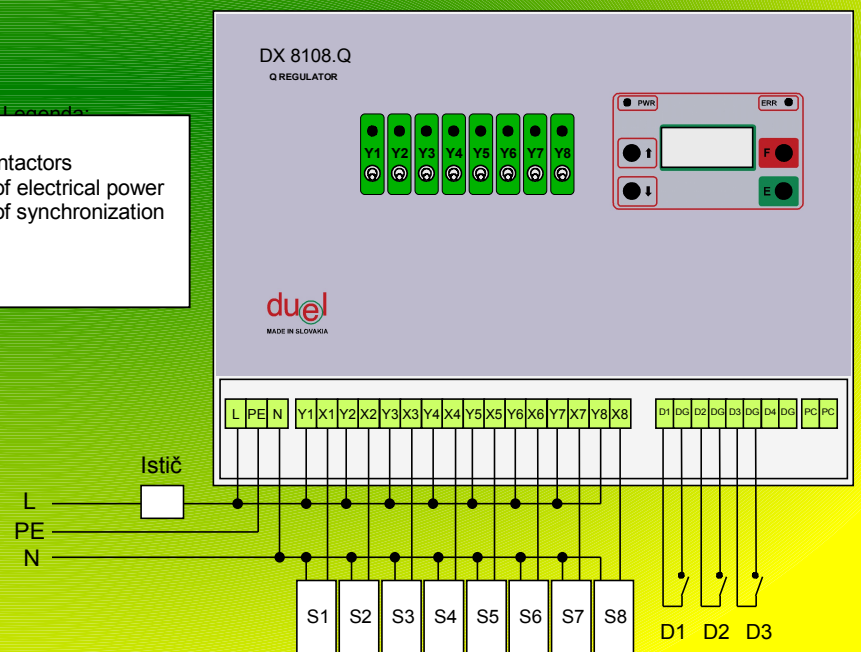
The device is connected to the intended impulsive electrometer through an optical isolator DX5001.

Control is carried shedding selected appliances in the order in excess of the critical power values. There are 8 potential-free relay outputs that can switch two groups of consumers.

It is possible to connect it to a PC via sw EKOMAX and control, monitor, and archive the necessary data.

- The substantial reduction in the cost of power, energy
- A sequential and trendy algorithm
- Measurement and history of energy supplied
- Easy operation
- Connection to PC
- Reliability

Legend:
 S1,...,S8 – contactors
 D1 – pulses of electrical power
 D2 – pulses of synchronization
 D3 – HI tariff

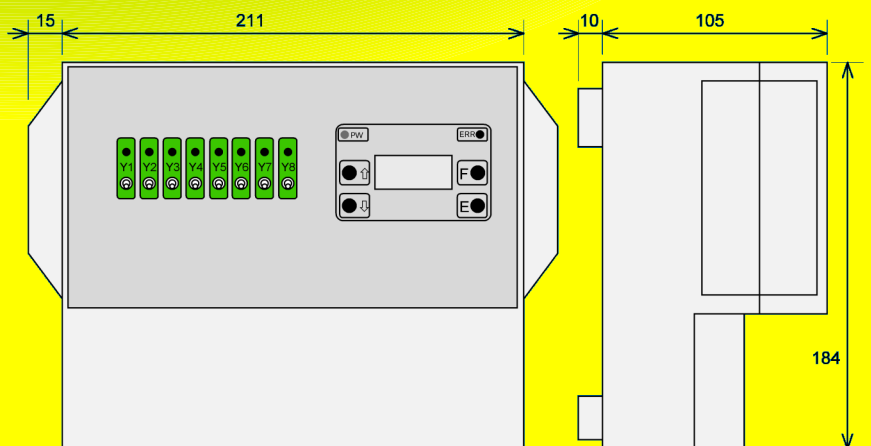


Technical data

Supply voltage	230 V
Number of inputs	4
Number of outputs	8
Max. outputs load	1A
Communication	active 20mA current loop

Operating conditions

Ambient temperature	5 ÷ 50 °C
Relat. humidity max.	80% at 30 °C
Air pressure	70 ÷ 106 kPa



DUEL Námestovo s.r.o., Florinova 928/9, 029 01 Námestovo
 tel: +421 43 5591092
 fax: +421 43 5591091

duel@duel-ltd.sk
 www.duel-ltd.sk