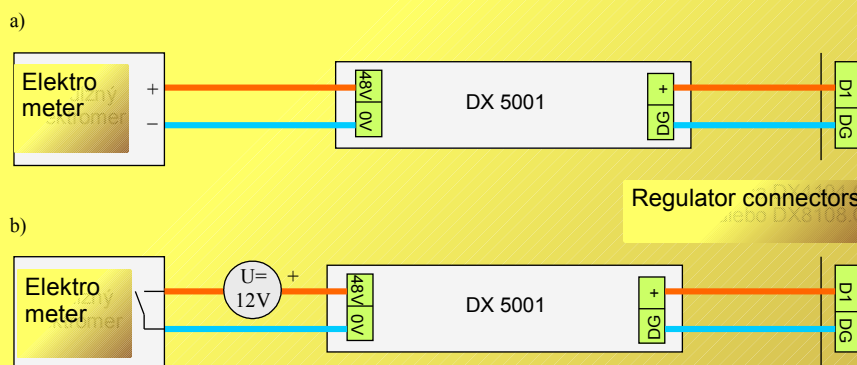


Optically galvanic isolator DX5001 is used to connect the output signals of the elektrometer with regulators of quarter-hour maximum. Separators should be placed (if necessary together with power supply DX0124) in a separate housing that can be sealed. Structurally DX5001 is placed in a plastic holder that can place on a 35 mm DIN rail.

- Galvanic isolation of the output signal
- DIN rail mounting
- Modularity



Connections of galvanic separator to the elektrometer: a) pre elektrometer s napätovými výstupy, b) – elektrometer with relay outputs

Technical data

Dielectric strength	2 500 VAC
Number of inputs	1
Number of outputs	1
Max. output load	20 mA
Max. output voltage	30 V
Max. input current	20 mA
Max. input voltage	48 V

Operating conditions

Ambient temperature	5 ÷ 50 °C
Relat. humidity max.	80% at 30 °C
Air pressure	70 ÷ 106 kPa

